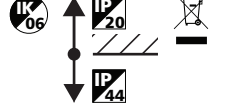
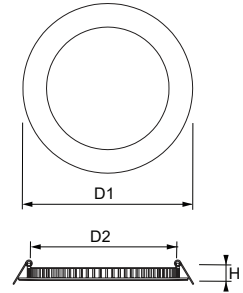


220-240 V 50 Hz

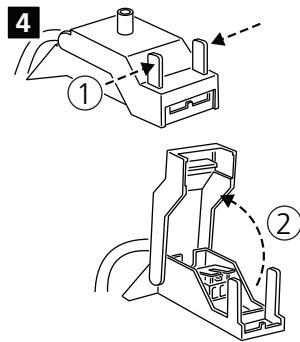
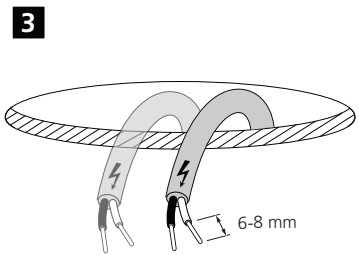
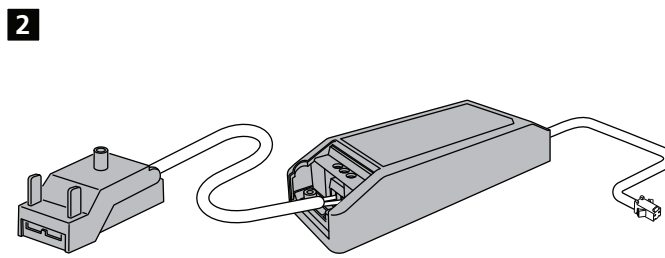


Item Code	D1 (mm)	D2 (mm)	H (mm)
0053988, 0053989	Ø120	Ø108	21
0053952, 0053953	Ø172	Ø157	21
0053954, 0053955, 0053956, 0053957	Ø226	Ø205	21



1 1-15 mm

Item Code	D (mm)
0053988, 0053989	Ø108-113
0053952, 0053953	Ø157-162
0053954, 0053955 0053956, 0053957	Ø205-212



5a AC 220-240V

Min. 2x0.75 mm²
Max. 2x1.50 mm²

5-7 mm 10-15 mm

5b AC 220-240V Total Max. 3 A
Max. C Type breaker: 40pcs

